



BY-PASS FILTER CARTRIDGE HOUSING

#BP010001 – 10" x 3/4" Connections
#BP010005 – 20" x 3/4" Connections
#BP010010 – 30" x 3/4" Connections

Pace Filter Cartridge Housings are constructed of durable cast iron / 304 Stainless Steel and accept 10", 20" or 30" double open end cartridges. Suitable for a wide variety of non-aggressive applications, these filtration systems operate quietly and efficiently in installations varying from the common to the unusual. Contact Pace to discuss your specific needs.

Operating Data Model #BP010001	
Maximum Operating Pressure and Temperature	175 psi @ 200 F° 12.1 bar @ 93 C°
Material of Construction	
Head	Cast Iron
Body	304 Stainless Steel
Center post and nut	Carbon Steel
Head gasket	Buna-N
Cap nut gasket	PTFE
Connections	
Inlet/Outlet	3/4" NPTF
Drain	1/4" NPTF
Cartridge suitability	Standard DOE 2 1/2" – 2 3/4" diameter
Weight	8.8 lbs (4 kg)



- Operating pressure of 175 psi allows it to be used in a broad range of applications
- Housings with higher pressure and/or higher flow rates are also available
- In-line NPT connections with clearly marked flow directions for ease of installation
- Center post design for quick cartridge change-out; less downtime & maintenance costs
- Economical and durable

Parts Ordering Information for 10" Filter Housing #BP010001			
PART DESCRIPTION	Pace Part #	Micron Size	Temp Rating
10" Polypropylene Cartridge	BX010005	5 micron	<200 °F (93 °C)
10" Polypropylene Cartridge	BX010058	10 micron	<200 °F (93 °C)
10" Polypropylene Cartridge	BX010061	20 micron	<200 °F (93 °C)
10" Polypropylene Cartridge	BX010064	30 micron	<200 °F (93 °C)
Housing O-Ring replacement	BX010085		
Housing Cover Nut gasket	BX105050		

For high temp rated cartridges 200-300 °F, (93-148 °C), contact your Pace Technical representative

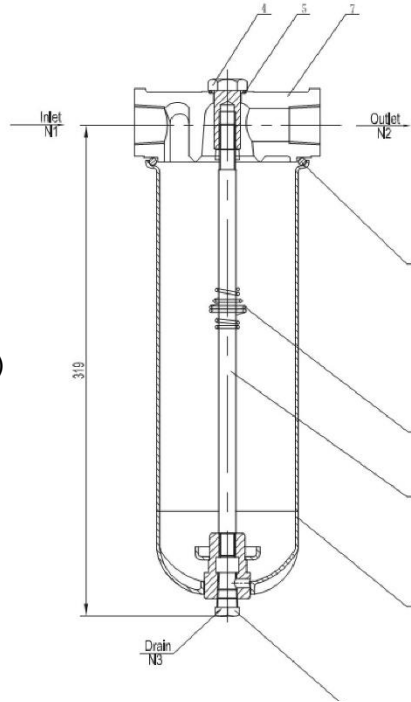


BY-PASS FILTER CARTRIDGE HOUSING

#BP010001 – 10" x 3/4" Connections
#BP010005 – 20" x 3/4" Connections
#BP010010 – 30" x 3/4" Connections

Please note: Drawing is for general reference only and should not be used for sizing or piping layout.

Total housing length 13 3/8" (339.7 mm)
Total head width 4 3/4" (120.65 mm)



Mark	Size	Service
N-1	3/4"	Inlet
N-2	3/4"	Outlet
N-3	1/4"	Drain

Mark	Figure No.	Service	Amount	Materials
8	20000-033	Shell Assembly	1	304 SS
7	20004-032	Head	1	Cast Iron
6	10520-030	O-ring	1	Buna-N
5	10505-031	Cover Nut O-ring	1	PTFE
4	10543-032	Cover Nut	1	Carbon Steel
3	10565-030	Spring	1	Spring Steel
2	10546-033	Center Bolt	1	Carbon Steel
1	10549-031	Drain Plug	1	Carbon Steel

